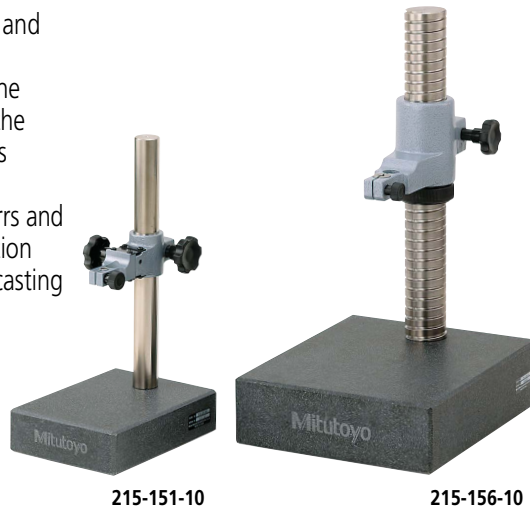


# Stands

## SERIES 215 — Granite Base Comparator Stands

- The plates are made of natural stone and will deteriorate very little over time. (While the appearance of natural stone base varies according to the source, the high stability for which this material is known can always be relied upon.)
- The rigid granite base is free from burrs and pileups due to its fine-grain composition and less viscosity compared with casting iron. The flatness is always accurate.



### Optional Accessories

ø15 mm bush (for 215-156-10, 215-505-10): 21JAA331

### SPECIFICATIONS

Code No.	Granite base size (WxDxH) (mm)	Clamping range on column (mm)	Stem hole (mm)	Remarks
215-150-10	120x180x50	0 to 110	ø8, ø0.375 in	With fine adjustment of 1 mm range
215-151-10	150x200x50	0 to 250		
215-153-10	200x250x80	0 to 260		
215-156-10	300x250x80	0 to 275	ø8, ø0.375 in, ø20	With fine adjustment over entire travel

Note 1: Perpendicularity of the stem hole to the anvil is better than 0.2/100.

Note 2: Take note that when mounting high-accuracy Linear Gages (with resolution of 0.1 µm or better) to these stands, accuracy may be affected depending on the perpendicularity of the mounting hole to the top surface of the anvil (cosine effect).

Note 3: Compact dial indicators (bezel ø31, ø36) are not suitable for use with these stands.

### DIMENSIONS

