

Dial Snap Gage SERIES 201

Optional accessories

Dial protection cover: **21DZA000**

Recommended dial indicators/ Digimatic indicators (optional)

• Metric models:

2046AB: Dial indicator (Graduation: 0.01 mm)

2109AB-10: Dial indicator (Graduation: 0.001 mm)

543-700B: Digimatic Indicator (Resolution:
0.0005/0.001/0.01 mm)

• Inch models:

2414AB: Dial indicator (Graduation: 0.001 in)

2805AB-10: Dial indicator (Graduation: 0.0001 in)

543-702B: Digimatic Indicator (Resolution:
0.00002/0.00005/0.0001/0.0005 in
(0.0005/0.001/0.01 mm))

- Designed for quick Go/±No-go judgment of diameters of cylinders and shafts in machining processes.
- Enables single-handed comparative measurements of a cylinder diameter, etc. while workpiece processing is taking place.
- The dial indicator and protection cover are optional.
- Some digimatic/dial indicators cannot be used with the dial snap gage. Consult Mitutoyo before using dial indicators which are not recommended.
- Measuring faces: Carbide.
- Anvil positioning range: 25 mm/1 in. Adjustment nut: adjusts the setting anvil to the nominal size required within the measuring range.
- Clamp: clamps the setting anvil at the required position.



201-101

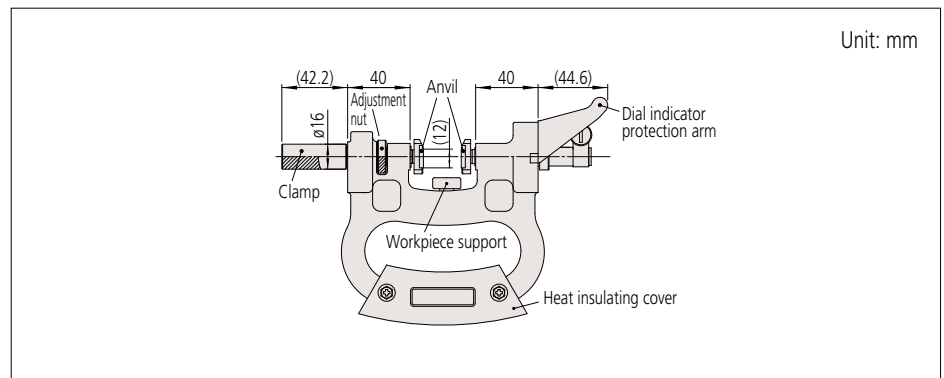
Note: The dial indicator and dial protection cover are optional.

SPECIFICATIONS

Metric				Inch			
Code No.	Range (mm)	Parallelism (μm)	Measuring force* (N)	Code No.	Range (in)	Parallelism (in)	Measuring force* (N)
201-101	0 - 25	5	15±3	201-151	0 - 1	0.00025	15±3
201-102	25 - 50			201-152	1 - 2		
201-103	50 - 75			201-153	2 - 3		
201-104	75 - 100			201-154	3 - 4		
201-105	100 - 125			201-155	4 - 5		
201-106	125 - 150			201-156	5 - 6		
201-107	150 - 175			201-157	6 - 7		
201-108	175 - 200			201-158	7 - 8		
201-109	200 - 225			201-159	8 - 9		
201-110	225 - 250			201-160	9 - 10		
201-111	250 - 275			201-161	10 - 11		
201-112	275 - 300			201-162	11 - 12		

* Measuring force is that force present before an indicator is installed and is determined at the point where the spindle is retracted 1 mm from the rest position.

DIMENSIONS



Unit: mm