

Depth Gage

Depth Gage SERIES 571 — Pin-end Type

- ABSOLUTE Point-Type Digimatic Depth Gage is suitable for measuring inside narrow holes.
- Optional longer extension bases are available.
- Data output function allows integration into statistical process control and measurement systems. (Refer to page 09-3.)
- Coolant proof type IP67 rated.

ABSOLUTE™



Optional Accessories

| Code No. | Type | Description |
|------------------|--------|--|
| 264-020 | — | USB Input Tool Series USB Keyboard Signal Conversion Type IT-020U |
| 05CZA624 | A | Connection cable for IT/DP/MUX (1 m) |
| 05CZA625 | A | Connection cable for IT/DP/MUX (2 m) |
| 06AFM380A | A | USB Input Tool Direct (2 m) |
| 02AZD730G | IP67 | U-WAVE-T |
| 02AZD880G | Buzzer | U-WAVE-T |
| 02AZE200 | — | U-WAVE-T mounting bracket |
| 02AZD790A | A | Connection cable for U-WAVE-T (160 mm) |
| 02AZE140A | A | Connection cable for U-WAVE-T For foot switch |
| 264-620 | IP67 | U-WAVE-TC |
| 264-621 | Buzzer | U-WAVE-TC |
| 264-624 | IP67 | U-WAVE-TCB |
| 264-625 | Buzzer | U-WAVE-TCB |
| 02AZF310 | IP67 | Connecting unit for U-WAVE |

06
Depth Gages



571-302-20

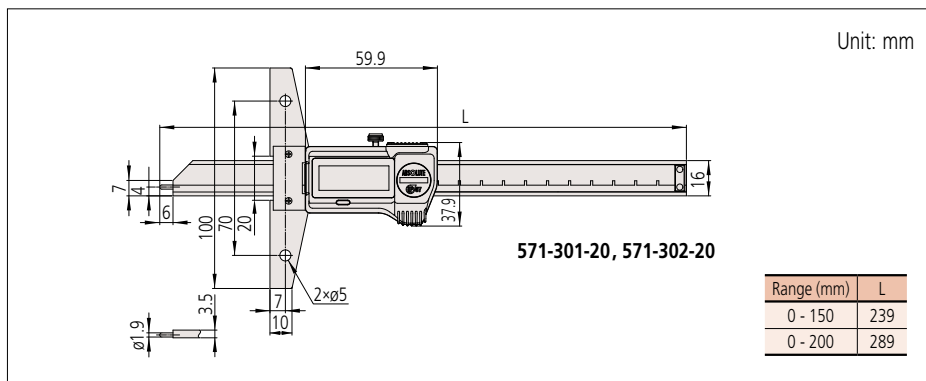
SPECIFICATIONS

| Metric | | | | |
|-------------------|----------------------------|-------------------|-----------------|--|
| Code No. | Range (mm): L1 (L2 and L3) | Resolution (mm) | Base (W×T) (mm) | Maximum permissible error E_{MPE} (mm)*1 |
| 571-301-20 | 0 - 150 | 0.01 | 100×6 | ±0.02 |
| 571-302-20 | 0 - 200 | | | |
| Inch / Metric | | | | |
| Code No. | Range: L1 (L2 and L3) | Resolution | Base (W×T) (mm) | Maximum permissible error E_{MPE} *1 |
| 571-311-20 | 0 - 150 mm/0 - 6 in | 0.0005 in/0.01 mm | 100×6 | ±0.001 in/±0.02 mm |
| 571-312-20 | 0 - 200 mm/0 - 8 in | | | |

- Dust/Water protection level: IP67*2
- Power source: SR44 battery (1 pc.), **938882** included as standard (for operational checks)
- Position detection method: ABSOLUTE electromagnetic inductive linear encoder
- Battery life: Approx. 5 years
- Response speed: Unlimited

*1 Maximum permissible error, E_{MPE} , is the term defined by ISO 13385-2:2011.
*2 Rustproofing shall be applied after use if caliper was in contact with coolant.

DIMENSIONS



Depth Gage (Caliper Type)