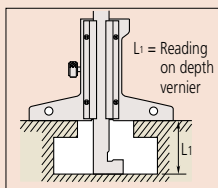
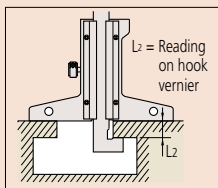


Depth Gage SERIES 527 — Hook-end Type

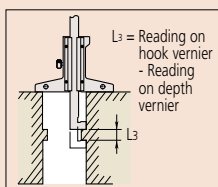
Typical applications



Vernier

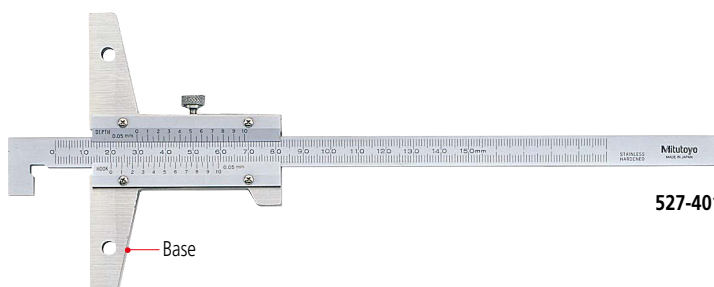


Vernier



Vernier (both instances)

- The end of the main scale is hook-shaped to allow depth and thickness measurements of a projected portion or lip in a hole, in addition to standard depth measurement.
- Depth can be directly measured with the upper Vernier of the slider and thickness with the lower Vernier.
- Optional longer extension bases are available. (Refer to page 06-15.)



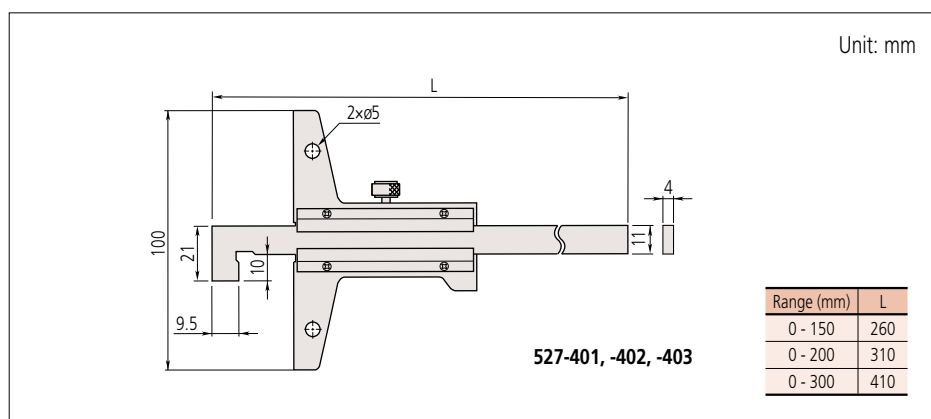
527-401

SPECIFICATIONS

Metric				
Code No.	Range (mm): L1 (L2 and L3)	Resolution/Graduation (mm)	Base (W×T) (mm)	Maximum permissible error E_{MPE} (mm)*
527-401	10 - 150 (0 - 150)	0.05	100×6.5	±0.05
527-402	10 - 200 (0 - 200)			±0.08
527-403	10 - 300 (0 - 300)			±0.03
527-411	10 - 150 (0 - 150)	0.02		±0.03
527-412	10 - 200 (0 - 200)			±0.04
527-413	10 - 300 (0 - 300)			±0.04

* Maximum permissible error, E_{MPE} , is the term defined by ISO 13385-2:2011.

DIMENSIONS



Range (mm)	L
0 - 150	260
0 - 200	310
0 - 300	410