

Depth Gage

Depth Gage SERIES 571 — Hook-end Type

- The end of the main scale is hook-shaped to allow depth and thickness measurements of a projected portion or lip in a hole, in addition to standard depth measurement.
- Direct reading of depth measurement is available due to the offset-value setting function.
- Coolant proof type IP67 rated.
- Optional longer extension bases are available.



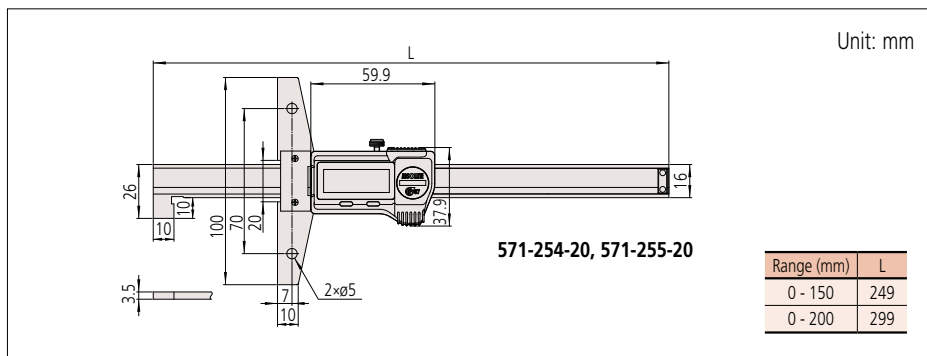
SPECIFICATIONS

Metric				
Code No.	Range (mm): L1 (L2 and L3)	Resolution (mm)	Base (W×T) (mm)	Maximum permissible error E_{MPE} (mm)*1
571-254-20	10.1 - 160 (0 - 150)	0.01	100×6	±0.03
571-255-20	10.1 - 210 (0 - 200)			
Inch / Metric				
Code No.	Range: L1 (L2 and L3)	Resolution	Base (W×T) (mm)	Maximum permissible error E_{MPE} *1
571-264-20	0.4 in - 6.4 in (0 - 6 in)	0.0005 in/0.01 mm	100×6	±0.0015 in/±0.03 mm
571-265-20	0.4 in - 8.4 in (0 - 8 in)			

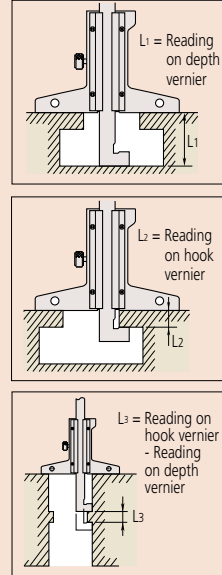
- Dust/Water protection level: IP67*2
- Power source: SR44 battery (1 pc.), **938882** included as standard (for operational checks)
- Position detection method: ABSOLUTE electromagnetic inductive linear encoder
- Battery life: Approx. 5 years
- Response speed: Unlimited

*1 Maximum permissible error, E_{MPE} , is the term defined by ISO 13385-2:2011.
*2 Rustproofing shall be applied after use if caliper was in contact with coolant.

DIMENSIONS



Typical applications



Optional Accessories

Code No.	Type	Description
264-020	—	USB Input Tool Series USB Keyboard Signal Conversion Type IT-020U
05CZA624	A	Connection cable (1 m)
05CZA625	A	Connection cable (2 m)
06AFM380A	A	USB Input Tool Direct (2 m)
02AZD730G	IP67	U-WAVE-T
02AZD880G	Buzzer	U-WAVE-T
02AZE200	—	U-WAVE-T mounting bracket
02AZD790A	A	Connection cable for U-WAVE-T (160 mm)
02AZE140A	A	Connection cable for U-WAVE-T For foot switch
264-620	IP67	U-WAVE-TC
264-621	Buzzer	U-WAVE-TC
264-624	IP67	U-WAVE-TCB
264-625	Buzzer	U-WAVE-TCB
02AZF310	IP67	Connecting unit for U-WAVE