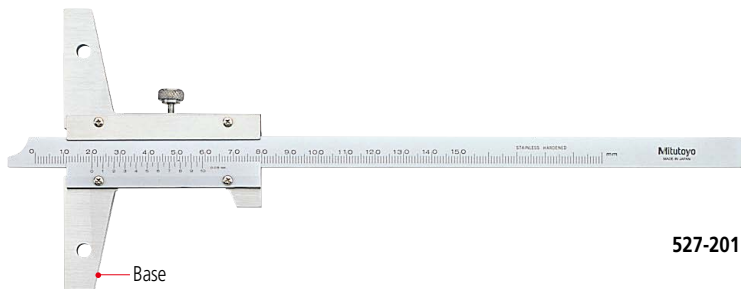


Depth Gage

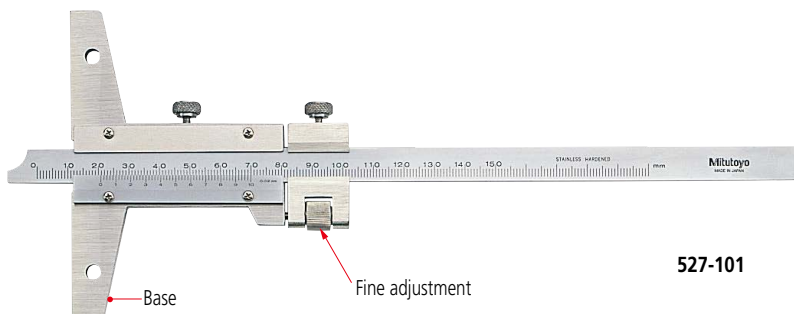
Vernier Depth Gage SERIES 527

- Standard Vernier gage for depth measurement.
- Optional longer extension bases are available.

06
Depth Gages



527-201



527-101

SPECIFICATIONS

Metric

Code No.	Range (mm)	Minimum reading (mm)	Base (W×T) (mm)	Maximum permissible error E_{MPE} (mm)*	Remarks
527-201	0 - 150	0.05	100×6.5	±0.05	—
527-202	0 - 200			±0.08	
527-203	0 - 300			±0.10	
527-204	0 - 600		250×10	±0.10	
527-205	0 - 1000			±0.15	

Metric

Code No.	Range (mm)	Minimum reading (mm)	Base (W×T) (mm)	Maximum permissible error E_{MPE} (mm)*	Remarks
527-101	0 - 150	0.02	100×6.5	±0.03	with fine adjustment
527-102	0 - 200			±0.04	
527-103	0 - 300			±0.05	
527-104	0 - 600		250×10	±0.05	
527-105	0 - 1000			±0.07	

Metric

Code No.	Range (mm)	Minimum reading (mm)	Base (W×T) (mm)	Maximum permissible error E_{MPE} (mm)*	Remarks
527-121	0 - 150	0.02	100×6.5	±0.03	—
527-122	0 - 200				
527-123	0 - 300				

Inch

Code No.	Range (in)	Minimum reading (in)	Base (W×T) (in)	Maximum permissible error E_{MPE} (in)*	Remarks
527-111	0 - 6	0.001	3.93×0.25	±0.001	with fine adjustment
527-112	0 - 8			±0.0015	
527-113	0 - 12			±0.002	
527-114	0 - 24		9.8×0.39	±0.002	
527-115	0 - 40			±0.003	

* Maximum permissible error, E_{MPE} , is the term defined by ISO 13385-2:2011.