

Height Gage

Dial Height Gage SERIES 192 — with Mechanical Counter

- Easy and error-free reading with both up and down digital counters as well as a dial.
- The counters and dial can be re-zeroed at any scriber position.
- Provided with a feed wheel for easy coarse feeding.
- Carbide-tipped scriber is provided.



192-130

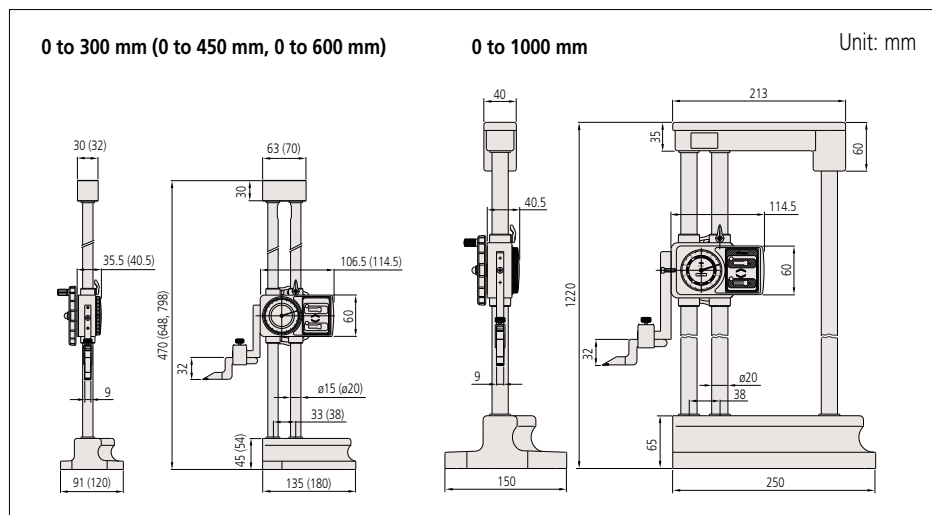
SPECIFICATIONS

Metric					
Code No.	Range (mm)	Graduation (mm)	Maximum permissible error E_{MPE} (mm)*	Height (mm)	Mass (kg)
192-130	0 - 300	0.01	±0.03	470	4.2
192-131	0 - 450		±0.05	648	9.2
192-132	0 - 600		±0.05	798	9.8
192-133	0 - 1000		±0.07	1220	17.0

Inch					
Code No.	Range (in)	Graduation (in)	Maximum permissible error E_{MPE} (in)*	Height (mm)	Mass (kg)
192-150	0 - 12	0.001	±0.0015	470	4.2
192-151	0 - 18		±0.002	648	9.2
192-152	0 - 24		±0.002	798	9.8
192-153	0 - 40		±0.003	1220	17.0

* Maximum permissible error, E_{MPE} is the term (notation) used in JIS B 7517: 2018, revised based on ISO/TR 14253-6: 2012.

DIMENSIONS



Standard Accessories

Code No.	Description	Models
07ZA000	Scriber	192-130 192-131 192-132 192-133
900258	Scriber	192-150 192-151 192-152 192-153
05GZA300	Scriber clamp box	192-130 192-131 192-132 192-133
901385	Scriber clamp box	192-150 192-151 192-152 192-153