

ABSOLUTE Digimatic Height Gage SERIES 570 — with Ergonomic Base

- New standard model which features a prismatic column and offers excellent rigidity and accuracy.

- Allows smooth elevation by the slider adjustment wheel.
- **U-WAVE-T/TC/TCB** (wireless data transmitter) can be installed on the back of the display unit.



570-402



Equipped with **U-WAVE-T/TC/TCB**

Note: When attaching the **U-WAVE**, use commercially available double-sided tape, etc.

SPECIFICATIONS

Metric					
Code No.	Range (mm)	Resolution (mm)	Maximum permissible error E_{MPE} (mm)*	Response speed	Mass (kg)
570-402	0 - 300	0.01	±0.03	Unlimited	4.6
570-404	0 - 600		±0.05		6.4

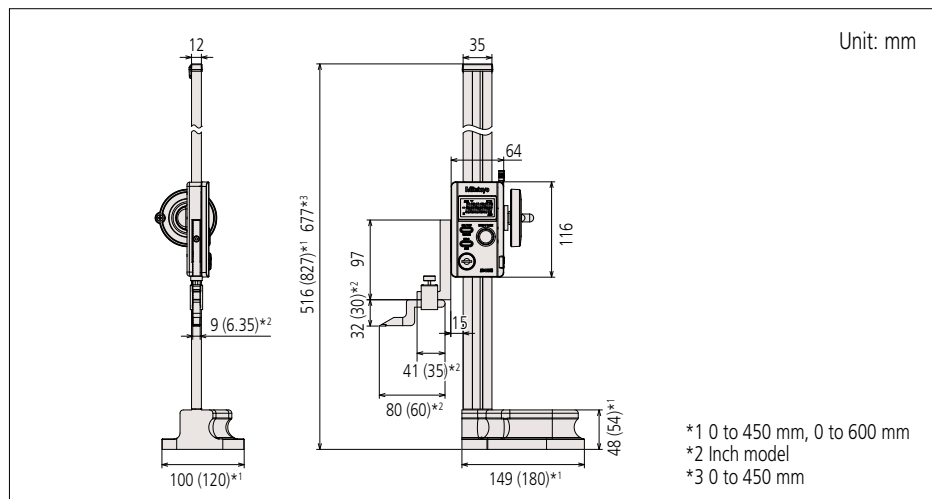
Inch / Metric					
Code No.	Range	Resolution	Maximum permissible error E_{MPE} *	Response speed	Mass (kg)
570-412	0 to 12 in/0 to 300 mm	0.0005 in/ 0.01 mm	±0.0015 in/±0.03 mm	Unlimited	4.6
570-413	0 to 18 in/0 to 450 mm		±0.0020 in/±0.05 mm		5.9
570-414	0 to 24 in/0 to 600 mm		±0.0020 in/±0.05 mm		6.4

• Power source: SR44 battery (1 pc.), **938882** included as standard (for operational checks)

• Battery life: Approx. 5 years

* Maximum permissible error, E_{MPE} is the term (notation) used in JIS B 7517: 2018, revised based on ISO/TR 14253-6: 2012.

DIMENSIONS



Measurement example



Functions

- **Origin-setting:**
Any convenient reference surface, such as a surface plate, etc., can be stored as the ABSOLUTE origin point.
- **ABSOLUTE measurement:**
After power is turned ON, measurement can be started without zero-setting if origin-setting was previously performed. ABSOLUTE origin position can be changed by ORIGIN button.
- **Incremental measurement:** Allows origin setting at any arbitrary position. In this case, the origin point is not stored after turning off the power.
- **Data hold:**
Display value can be held.
- **Data output:**
Allows integration into statistical process control and measurement systems. (Refer to page 09-3.)
- **Low-voltage alert:**
If the battery voltage becomes low, a "B" appears in the display to alert the user before measurement is no longer possible so that the battery can be changed in good time.

Standard Accessories

Code No.	Description	Models
07ZA000	Scriber	570-402
		570-404
900258	Scriber	570-412
		570-413
		570-414
05GA033	Scriber clamp box	570-402
		570-404
901385	Scriber clamp box	570-412
		570-413
		570-414

Optional Accessories

Code No.	Type	Description
264-020	—	USB Input Tool Series USB Keyboard Signal Conversion Type IT-020U
905338	F	Connection cable for IT/DP/MUX (1 m)
905409	F	Connection cable for IT/DP/MUX (2 m)
06AFM380F	F	USB Input Tool Direct (2 m)
02AZD730G	IP67	U-WAVE-T
02AZD880G	Buzzer	U-WAVE-T
02AZD790F	F	Connection cable for U-WAVE-T (160 mm)
264-620	IP67	U-WAVE-TC
264-621	Buzzer	U-WAVE-TC
264-624	IP67	U-WAVE-TCB
264-625	Buzzer	U-WAVE-TCB
902053	—	Clamp (with dovetail groove)*
953638	—	Holding bar*

* For mounting test indicators, etc. (Refer to pages 07-84 and 07-85 for details.)