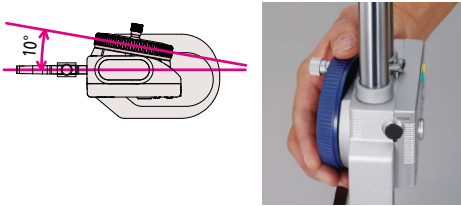


Height Gage

MeasurLink[®] ENABLED
Data Management Software by Mitutoyo

Digimatic Height Gage SERIES 192 — Multi-function Type with SPC Data Output

- Double-column structure ensures stable measurements.
- Ergonomic base fits comfortably in the hand.
- Inclined handle improves slider ergonomics.
- Bidirectional touch-trigger probe is available as an optional accessory.
- Provided with a long scriber (150 mm).



192-663-10

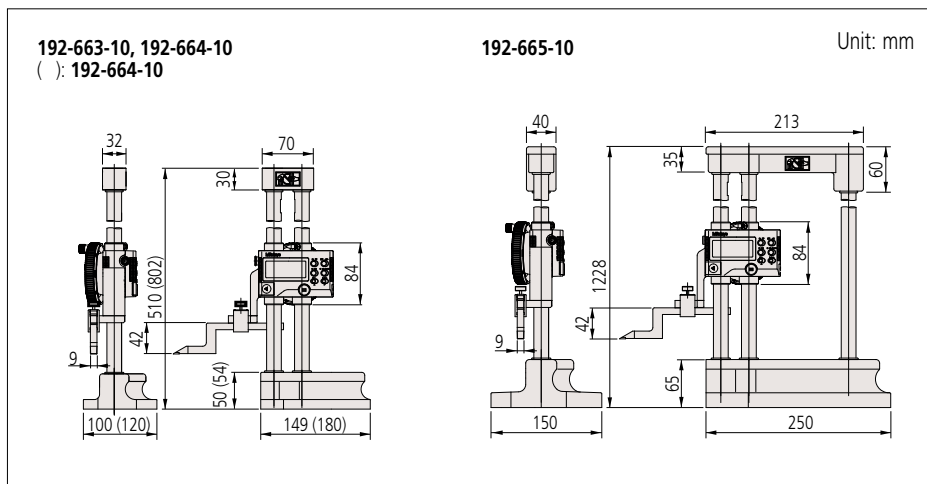
SPECIFICATIONS

Metric						
Code No.	Range (mm)	Resolution (mm)	Maximum permissible error E_{MPE} (mm)*	Response speed (mm/s)	Height (mm)	Mass (kg)
192-663-10	0 - 300	0.01/0.005 (selectable)	±0.02	Approx. 500	510	5.7
192-664-10	0 - 600		±0.04		802	8.3
192-665-10	0 - 1000		±0.06		1228	15.7

Inch / Metric						
Code No.	Range (in)	Resolution	Maximum permissible error E_{MPE} (in)*	Response speed (mm/s)	Height (mm)	Mass (kg)
192-670-10	0 - 12	0.01 mm/0.005 mm (selectable)	±0.001	Approx. 500	510	5.7
192-671-10	0 - 18		±0.0015		649	7.5
192-672-10	0 - 24	0.0005 in/0.0002 in (selectable)	±0.0015		802	8.3
192-673-10	0 - 40		±0.0025		1228	15.7

- Power source: SR44 battery (1 pc.), **938882** included as standard (for operational checks)
- Battery life: Approx. 3,500 hours in continuous use
- * Maximum permissible error, E_{MPE} is the term (notation) used in JIS B 7517: 2018, revised based on ISO/TR 14253-6: 2012.

DIMENSIONS



Functions (Refer to page 05-8)

Standard Accessories

Code No.	Description	Models
905200	Scriber	192-663-10 192-664-10 192-665-10
905201	Scriber	192-670-10 192-671-10 192-672-10 192-673-10
05GZA033	Scriber clamp box	192-663-10 192-664-10 192-665-10
901385	Scriber clamp box	192-670-10 192-671-10 192-672-10 192-673-10

Optional Accessories

Code No.	Type	Description
264-020	—	USB Input Tool Series USB Keyboard Signal Conversion Type IT-020U
905338	F	Connection cable for IT/DP/MUX (1 m)
905409	F	Connection cable for IT/DP/MUX (2 m)
06AFM380F	F	USB Input Tool Direct (2 m)
02AZD730G	IP67	U-WAVE-T
02AZD880G	Buzzer	U-WAVE-T
02AZE990	—	U-WAVE-T mounting bracket
02AZD790F	F	Connection cable for U-WAVE-T (160 mm)
02AZE140F	F	Connection cable for U-WAVE-T For foot switch

- **Bidirectional touch-trigger probe:**
192-007 (mm), 192-008 (inch)
Improves accuracy in step, internal thickness, and outside width measurement by minimizing reproducibility error. A bidirectional touch-trigger probe is available as an optional accessory for **192-663-10, 192-664-10, 192-665-10, 192-670-10, 192-671-10, 192-672-10** and **192-673-10**.

