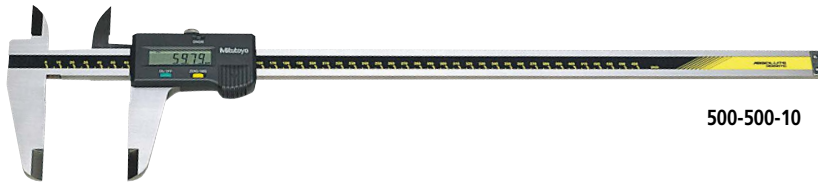


## ABSOLUTE Digimatic Long Caliper SERIES 500 — with Exclusive ABSOLUTE Encoder Technology

ISO13385-1 compliant

- This is a long-scale digital caliper. The digital display can reduce human error by preventing incorrect reading of measurement results.
- Incorporates Mitutoyo's ABSOLUTE measurement system. No need to reset the origin after switching on. Eliminates overspeed errors.
- Data output function allows integration into statistical process control and measurement systems. (Refer to page 09-3.)



500-500-10

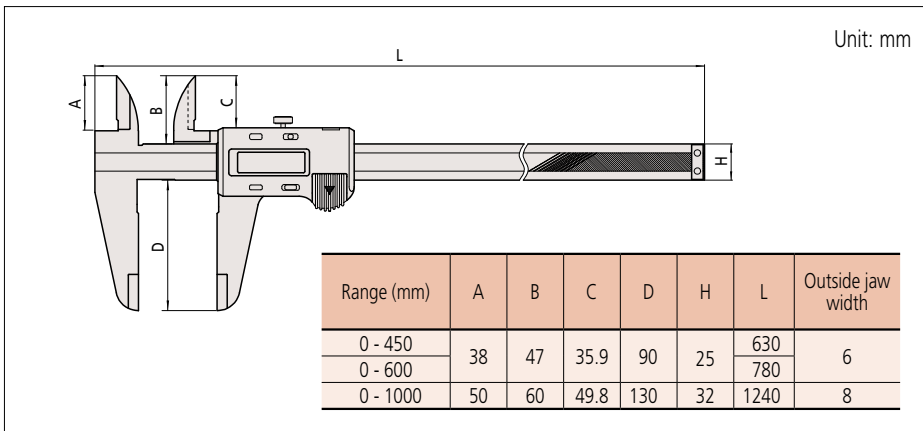
### SPECIFICATIONS

Metric					
Code No.	Range (mm)	Resolution (mm)	Maximum permissible error (mm)*		Mass (g)
			<i>E</i> <sub>MPE</sub>	<i>S</i> <sub>MPE</sub>	
500-500-10	0 - 450	0.01	±0.05	±0.07	1170
500-501-10	0 - 600			±0.07	1350
500-502-10	0 - 1000		±0.07	±0.09	3300

Inch / Metric					
Code No.	Range	Resolution	Maximum permissible error*		Mass (g)
			<i>E</i> <sub>MPE</sub>	<i>S</i> <sub>MPE</sub>	
500-505-10	0 - 18 in / 0 - 450 mm	0.0005 in / 0.01 mm	±0.002 in / ±0.05 mm	±0.003 in / ±0.07 mm	1170
500-506-10	0 - 24 in / 0 - 600 mm			±0.004 in / ±0.09 mm	1350
500-507-10	0 - 40 in / 0 - 1000 mm		±0.003 in / ±0.07 mm	±0.004 in / ±0.09 mm	3300

- Power source: SR44 battery (1 pc.). **938882** included as standard (for operational checks)
  - Battery life: Approx. 3.5 years under normal use
  - Response speed: Unlimited
- \* The Partial Surface Contact Error (*E*<sub>MPE</sub>) and Shift Error (*S*<sub>MPE</sub>) are terms defined by ISO 13385-1:2019.

### DIMENSIONS

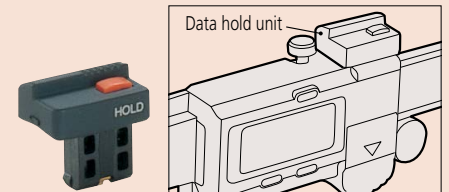


### Optional Accessories

Code No.	Type	Description
264-020	—	USB Input Tool Series USB Keyboard Signal Conversion Type <b>IT-020U</b>
959149	C	Connection cable for <b>IT/DP/MUX</b> (1 m)
959150	C	Connection cable for <b>IT/DP/MUX</b> (2 m)
06AFM380C	C	USB Input Tool Direct (2 m)
02AZD730G	IP67*	<b>U-WAVE-T</b>
02AZD880G	Buzzer	<b>U-WAVE-T</b>
02AZE200	—	<b>U-WAVE-T</b> mounting bracket
02AZD790C	C	Connection cable for <b>U-WAVE-T</b> (160 mm)
02AZE140C	C	Connection cable for <b>U-WAVE-T</b>

\* IP67 is applied to this **U-WAVE-T**, but not to the calipers on page 04-9.

#### • Data hold unit



959143