

Micrometer Head

Micrometer Heads SERIES 152 — XY-Stage Type

- Designed for cross-travel stage translation in the X and Y axes. Bidirectional graduation for easy reading in both directions.

SPECIFICATIONS

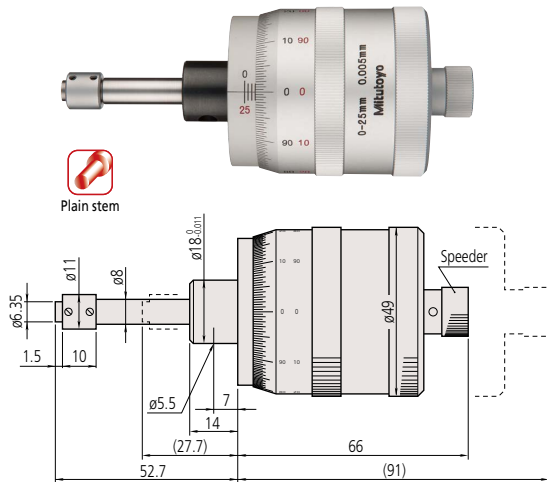
Metric

Code No.	Range (mm)	Graduation (mm)	Graduation features	Stem dia. (mm)	Stem	Spindle pitch (mm)	Maximum permissible error J_{MPE} (μm)
152-390	0 - 25	0.005	for Y axis, bidirectional	18	Plain	1	± 2
152-389							

- Measuring face: Material/Carbide tip (**152-389/390** are alloy tool steel), Hardness/90 HRA or more (**152-389/390** are 60 HRC or more), Lapped
- Scale finishing: White anodized aluminum

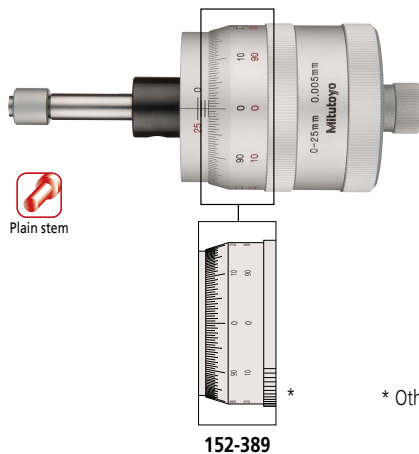
DIMENSIONS

Unit: mm



152-390 Mass: 270 g

- The thimble can be rotated to a better reading position while maintaining the spindle position.



152-389

* Other dimensions are the same as **152-390**.
() : with spindle fully retracted.