

## QUICKmini SERIES 700

### Measurement example



### Functions

ABS measurement function:

After a data is displayed, next measurement can be performed without zero-setting. Also, the ABS origin point can be changed with ORIGIN switch.

INC measurement function:

Clears the displayed data at any point. The comparative measurement can be easily performed.

Low battery alarm:

Notifies that the battery is wearing down with "B" mark before becoming immeasurable. Thus, the timing for battery replacement can be confirmed in advance.

### Typical applications:

- Measurement of small workpieces:

Pearl, jewel, engine tappet shim, screws.

- Measurement of thin workpieces:

Printing paper, polyethylene bags, sheet material, noodles and other food products, medium substrate, foil, thin plate, filter cloth and other medical supplies.

- Measurement of thin lines and bars: Fishing line, dental reamers, spaghetti, drill for PCBs, wiring.

- Lightweight and palm-sized.
- Highly suitable for quick dimensional inspection of small, thin and delicate objects.



700-119-30

### SPECIFICATIONS

Metric						
Code No.	Range (mm)	Resolution (mm)	Accuracy* (mm)	Maximum response speed	Measuring force (N)	Mass (g)
700-119-30	0 - 12	0.01	±0.02	Unlimited	2 or less	100

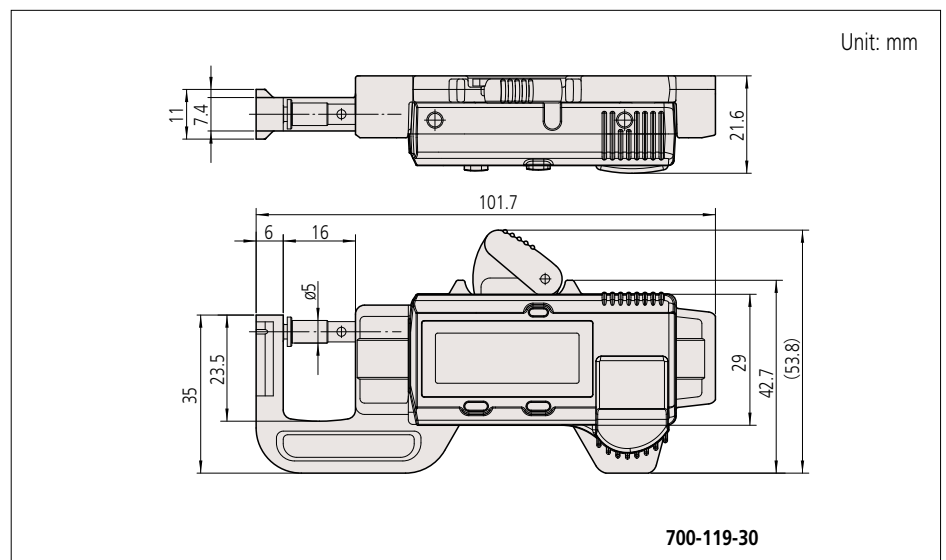
Inch / Metric						
Code No.	Range (in)	Resolution	Accuracy* (in)	Maximum response speed	Measuring force (N)	Mass (g)
700-118-30	0 - 0.5	0.0005 in/0.01 mm	±0.001	Unlimited	2 or less	100

• Power source: SR44 battery (1 pc.), **938882** included as standard (for operational checks)

• Battery life: Approx. 5 years under normal use

\* Excluding quantizing error of ±1 count

### DIMENSIONS



700-119-30